

SPECIAL PRODUCT



IHB120F

2MP IP DOORVIEW CAMERA

- 1/2.8" SONY 2.13M STARVIS CMOS
- **5MP Fisheye Lens (190° Wide View Angle)**
- video output : 30fps @ 1920x1080
- H.264 / MJPEG, Real WDR
- DC12V / Waterproof POE Cable
- Waterproof(IP66)

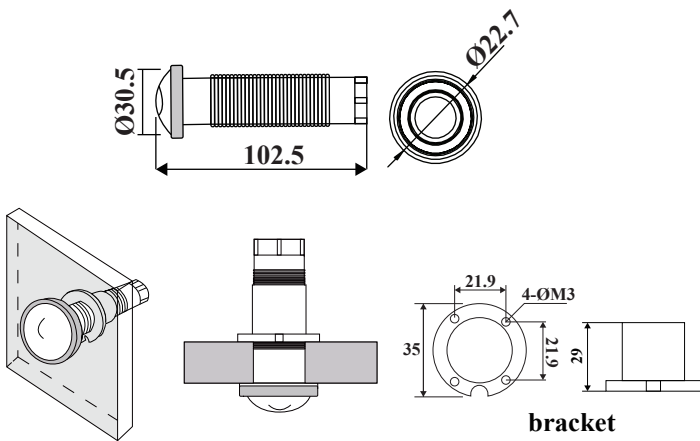


IHB120W

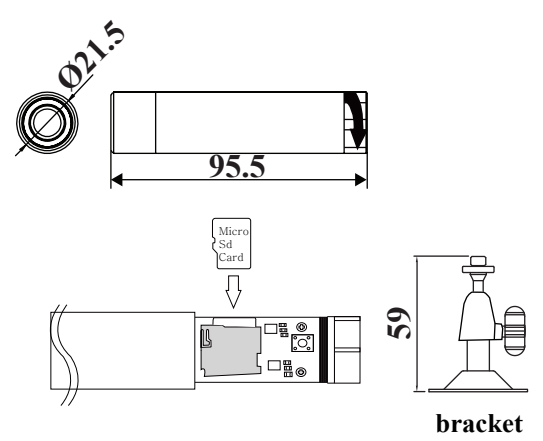
2MP IP MINIBULLET

- 1/2.8" SONY 2.13M STARVIS CMOS
- **f=3.6mm fixed lens**
- (option:6mm, 8mm, 12mm, 16mm)
- video output : 30fps @ 1920x1080
- H.264 / MJPEG, Real WDR
- DC12V / Waterproof POE Cable
- Waterproof(IP66)

<2MP IP DOORVIEW CAMERA>



<2MP IP MINIBULLET>



Camera Specification

Image	Image Sensor	1/2.8" SONY 2.13M STARVIS CMOS	STARVIS
	Size	1/2.8 inch	
	Scan method	Progressive Scan	
	Total Pixels	1945(H) x 1109(V), 2.16 Mega Pixels	
	Effective Pixels	1945(H) x 1097(V), 2.13 Mega Pixels	
Image Settings		Brightness, Contrast, Saturation, Sharpness, White Balance, Motion Detection, Exposure Control, Rotation of Images Privacy Masking (15 Zones), BLC, AGC, WDR, 3DNR, Sens-up	
Minimum Illumination		0.05Lux / Sen-up: 0.005 Lux	
Network	Interface	RJ45 10/100 Base-T PoE	
	Protocol	TCP/IP, UDP/IP, DHCP, AUTO IP, JGMP, ICMP, HTTP, UPnP, FTP, SMTP, SNMP, DNX, RTSP, RTMP	
	Video Codec	H.264 Main Profile Motion JPEG	
	Resolutions (H.264/MJPEG)	H.264: MAX 1920x1080@30fps, MJPEG: MAX 1280x720@30fps	
	Video Streaming	3 Channel Stream at different frame rate and bandwidth	
	Onvif	gSOAP, profile S:spec 2.4	
MicroSD	Micro SD / SDHC	Max. 128 GB (Built-in Card Slot)	
Genera	Power	PoE Class 3 (IEEE 802.3af), 12VDC Max. 130 mA	
	Operating Conditions	Temperature: - 20°C ~ +50°C, Humidity MAX 80% RH(non-condensing)	
	Storage Conditions	Temperature: - 30°C ~ +60°C, Humidity MAX 90% RH(non-condensing)	