

# 4MP AHD IR Dome Camera

SINCE 1991  
**SAMBO**  
SAMBO HITECH CO.,LTD.

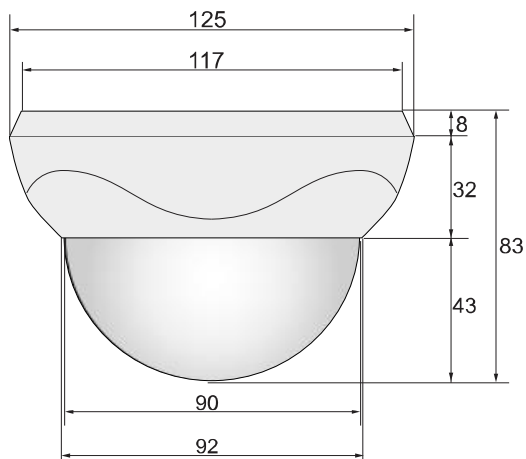
## SD10ZHI1180MV1 4MP 1440P AHD Camera



### FEATURE

- 1/3" 4 MP CMOS sensor
- 2560X1440P@25fps /@30fps
- 1440P AHD out  
(HD Transmission Max.300M)
- 0.1Lux@(F1.2, AGC ON), 0LUX with IR
- 2D-DNR, Day & Night function
- Mega f=2.8~12MM Fixed Lens
- 18 IR LEDs, IR Range Max. 20M.
- OSD OPTION(OSD CABLE)
- PAL

### DIMENSION



## SPECIFICATION

Device	1/3" 4Megapixel CMOS	
Effective Pixels	2688(H)X1520(V)	
Scanning System	Progressive	
Minimum Illumination	0.1Lux@(F1.2, AGC ON), 0LUX with IR	
Electronic Shutter	AUTO	
	NTSC :1/30 ~1/50.000sec / PAL :1/25 ~1/50.000sec	
S/N Ratio	More than 50dB	
Day and Night	External control(default)/Auto/Color/BW	
Synchronizing Metho	Inter-sync	
Frame Rate	2560X1440P@25fps /@30fps	
Video Output	1440P AHD	
Exposure	Electronic Shutter/Auto Gain Control/Brightness/D-WDR	
Backlight Mode	Off/Backlight Compensation / Strong Light In hibition	
White Balance	Automatic Tracking/AWC-SET/Indoor/Outdoor/Manual	
Noise Reduction	2D-DNR	
Functions	Image mirrot/Dead Pixedl Compensation/Language	
Adjustment	Acuacne/Display Screen/Edge Brightness Compensation/Output Mode	
Exit	Save and Exit/Reset/Not be saved	
Language	CHN(1)/CHN(2)/ENG/GER/FRA/ITA/SPA/POL/RUS	
	/POR/NED/TUR/JAP	
Lens	Focal Length	Mega f=2.8~12mm Fixed Lens
	Max Aperture	F 1.4
	Angle of View	H:98.82°(Wide)~30.94°(Tele)
	Mount/Lens type	Board/Manual
IR LEDs	42 IR LEDs	
IR Range	Max. 40M	
Power input	DC12V (±20%)	
Power Consumption	IR OFF-1.5W, IR ON-3.5W	
Operation Temp. /Humidity	-10°C - +50°C /10%RH~95%RH	
Storage Temp. /Humidity	-20°C - +60°C / 10%RH~95%RH	
Dimension	Φ77.7 X 280.3mm	
Certifications	CE	EMC Directive 2014/30/EU EN 55022:2010 + AC2011 EN 61000-3-2:2014 EN 61000-3-3:2013 EN 50130-4:2011
	FCC	FCC Part 15 Subpart B: 2017
	LVD	Low Voltage Directive : 2014/35/EU EN60950-1: 2006 + 2009 + A1: 2010 + A2 2013
	RoHS	RoHS-3 DIRECTIVE 2011/65/EU , 2015/863/EU

\* Specification and Design are subject to change without notice due to product improvement.