

## SVD07AHI124

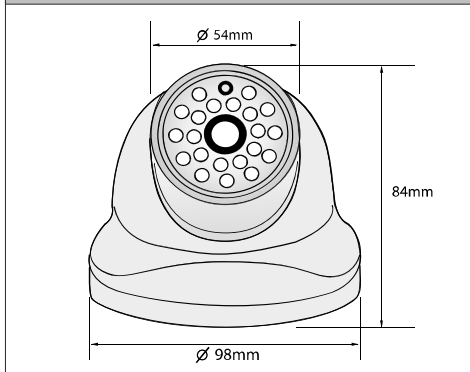
720P AHD Camera & 1.3M 1280H Analog Camera



### FEATURE

- Sony 1.3M IMX238 CMOS Sensor
- 720P AHD Video Output (AHD Transmission Max.300M)
- 1280H(1000TVL) CVBS Video Output
- Color : 0.08 Lux, B/W : 0.02 Lux
- SENS-UP On : Color 0.008 Lux, B/W : 0.002 Lux
- 3D-DNR@AHD, 2D-DNR@CVBS D-WDR
- Mega f=3.6mm Lens
- 24 IR LEDs, Max.24M
- IP66 (Weather Proof)

### DIMENSION



SPECIFICATION		NTSC	PAL
Image Device	1/3" SONY 1.3Megapixel CMOS		
Total Pixels	1312(H) x 1069(V) 1.4M pixels		
Effective Pixel	1305(H) x 1049(V) 1.37M pixels		
Scanning System	Progressive		
Resolution	AHD(720P)_1000TVL, CVBS(1280H)_950TVL		
Minimum Illumination (F1.0, 30IRE)	Color: 0.08 Lux/BW: 0.02 Lux Color sens-up:0.008Lux/BW sens-up:0.002Lux		
Video Output	AHD (factory setting) CVBS (Convertible)		
S/N Ratio	More than 50dB (AGC off)		
LENS	Mega f=3.6mm Lens		
Shutter Speed	AUTO(1/60(50) ~ 1/50000 sec)		
3D-DNR/Sens-up	AUTO(x30)		
Day & Night	AUTO (Mechanical True Day & Night)		
White Balance	ATW(Auto Tracking White Balance)		
IR LED	24 IR LEDs, Max.24M		
Power input	DC 12V(±30%)		
Operation Temperature	-10°C - +50°C, RH95% Max		
Storage Temperature	-20°C - +60°C, RH95% Max		
Dimension	Φ98 X 84(H) mm		
Cable	Standard 500mm BNC/DC Jack		

### COMPARISON IMAGE

You can select the video output by camera OSD key before installtion

