

SVD10AHI120V1F

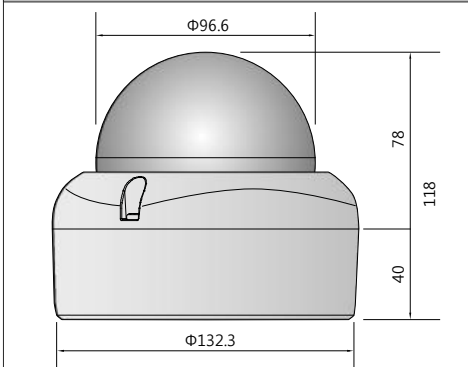
720P AHD Camera & 1.3M 1280H Analog Camera



FEATURE

- Sony 1.3M IMX238 CMOS Sensor
- 720P AHD Video Output (AHD Transmission Max.300M)
- 1280H(1000TVL) CVBS Video Output
- Color : 0.08 Lux, B/W : 0.02 Lux
- SENS-UP On : Color 0.008 Lux, B/W : 0.002 Lux
- 3D-DNR@AHD, 2D-DNR@CVBS D-WDR
- Mega f=2.8~12mm DC IRIRS ICR lens
- 20 IR LEDs, Max.20M
- Built-in OSD Key, IP67

DIMENSION



SPECIFICATION		NTSC	PAL
Image Device	1/3" SONY 1.3Megapixel CMOS		
Total Pixels	1312(H) x 1069(V) 1.4M pixels		
Effective Pixel	1305(H) x 1049(V) 1.37M pixels		
Scanning System	Progressive		
Resolution	AHD(720P)_1000TVL, CVBS(1280H)_950TVL		
Minimum Illumination (F1.2, 30IRE)	Color: 0.08 Lux/BW: 0.02 Lux (Color sens-up:0.008Lux/BW sens-up:0.002Lux)		
Video Output	AHD(To Right@key OSD) CVBS(To Left@key OSD)		
S/N Ratio	More than 50dB (AGC off)		
LENS	Mega f=2.8~12mm DC IRIS ICR Lens		
AGC	Off/0 - 15		
Shutter Speed	AUTO/MANUAL(1/50(60) ~ 1/50,000 sec)		
Sens-up	Off/X2 - X30		
Brightness	0 - 100		
Backlight	Off/BLC/HSBLC		
D-WDR	Off/0~8		
Defog	Off/Auto		
Day & Night	AUTO / COLOR / BW / EXT		
White Balance	ATW/ AWC-SET / INDOOR / OUTDOOR / MANUAL / AWB		
2DNR	CVBS	OFF/LOW/MIDDEL/HIGH	
3DNR	AHD	OFF/LOW/MIDDEL/HIGH	
Mirror	Off / MIRROR / V-FLIP / ROTATE		
Sharpness	OFF / AUTO (LEVEL/START AGC/END AGC/RETURN)		
Privacy Mask	Area 1~4		
Motion Detection	Area 1~4		
Language	English/Chinese/Germany/French/Italian/Spanish/Polish/Russian/Portuguese/Netherlands(Dutch)/Turkish		
IR LED	20 IR LEDs, Max.20M		
Power input	DC 12V(±30%)		
Operation Temperature	-10°C - +50°C, RH95% Max		
Storage Temperature	-20°C - +60°C, RH95% Max		
Dimension	Φ(96.6+132.3) X 118 mm		

COMPARISON IMAGE

You can select the video output by camera OSD key before installation

